

LITHIUM

LiFePO4

LITHIUM (LiFePO4) | High Performance

REF BSLi-02



12v

VOLTAGE

24Wh

ENERGY

140A

CCA - A (EN)

TECHNOLOGY

- Lithium Iron Phosphate cells construction
- Pre-charged batteries
- Homologated by OEM

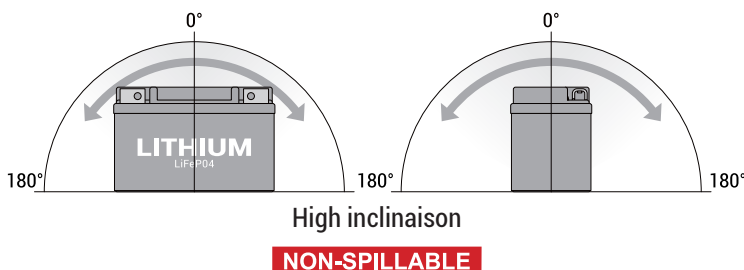
FEATURES

- Fast charging
- Multi-positioning mounting
- Very safe and environmental friendly
- Extensive cycle life: over 2000 cycles
- Very low self-discharge
- Cold temperature performance
- Waterproof design
- Ready to use: just plug and play
- Robust brass terminals
- Heat resistance: up to 230 C°
- Lighter weight

REPLACEMENTS

SLA	MF	DRY	DRY
BTX4L+/BTZ5S	BTX4L-BS	BB4L-B	12N5.5-3B
BTX5L/BTZ6S	BTX5L-BS	BB5L-B	12N7A-3A
BTX7L	BTX7L-BS	BB6.5L-B	
BTZ7S	BTZ5S-BS	BB7L-B	
BTZ8V	BTZ6S-BS		
	BTZ7S-BS		

MOUNTING ANGLE

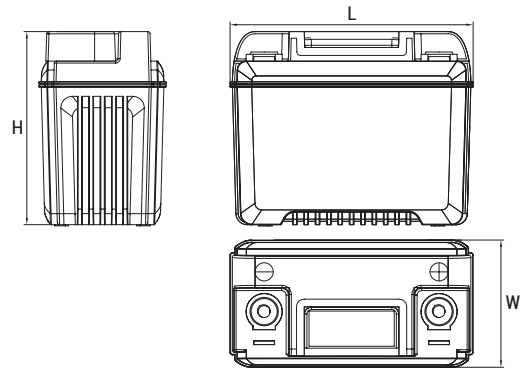


OPERATING TEMP. RANGE

Charge temperature:	0°C to 45°C
Discharge temperature:	-20°C to 55°C
Storage temperature:	0°C to 30°C

DIMENSIONS & WEIGHT

Length (L):	107mm ±1mm
Width (W):	56mm ±1mm
Height (H):	0.55kg (tolerance ±3%)



TERMINALS (mm)

