

# LITHIUM

LiFePO4

LITHIUM (LiFePO4) | High Performance

## REF BSLi-12



12<sub>v</sub>

VOLTAGE

96<sub>Wh</sub>

ENERGY

440<sub>A</sub>

CCA - A (EN)

### TECHNOLOGY

- Lithium Iron Phosphate cells construction
- Pre-charged batteries
- Homologated by OEM

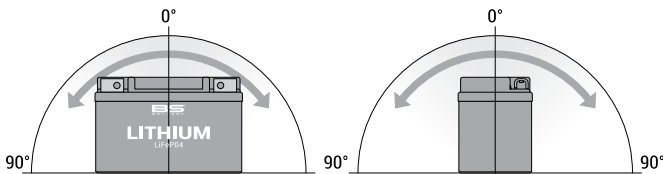
### FEATURES

- Fast charging
- Multi-positioning mounting
- Very safe and environmental friendly
- Extensive cycle life: over 2000 cycles
- Very low self-discharge
- Cold temperature performance
- Waterproof design
- Ready to use: just plug and play
- Robust brass terminals
- Heat resistance: up to 230 C°
- Lighter weight

### REPLACEMENTS

BIX30L	BIX30L-BS	BB30L-B	12N24-3A
		BB30CL-B	52515
		B60-N30L-A	53030

### MOUNTING ANGLE



High inclinasion

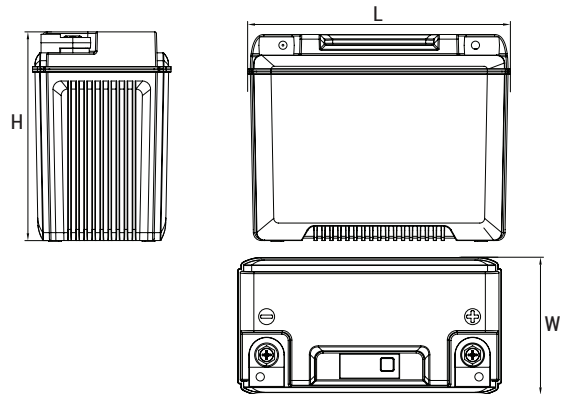
**NON-SPILLABLE**

### OPERATING TEMP. RANGE

Charge temperature:	0°C to 45°C
Discharge temperature:	-20°C to 55°C
Storage temperature:	0°C to 30°C

### DIMENSIONS & WEIGHT

Length (L):	165±1mm
Width (W):	86±1mm
Height (H):	130±2mm
Weight:	1.60kg (tolerance ±3%)



### TERMINALS (mm)

