

SLA

FACTORY ACTIVATED

SLA | READY TO START

REF **12N5.5-3B**



12v VOLTAGE - v

70A CCA - A (EN)

5.8Ah CAPACITY - Ah (20Hr)

5.5Ah CAPACITY - Ah (10Hr)

TECHNOLOGY

- Designed according to AGM technology (Absorbed acid)
- VRLA battery type
- Activated and pre-charged batteries
- Homologated by OEM

FEATURES

- AGM construction (Absorbed Glass Material)
- VRLA battery (Valve Regulated Lead Acid)
- Factory activated
- Environmentally friendly, spillproof design
- Multi-positional fitment
- Absolutely Maintenance free
- Sealed, no gas emission through venting hole (under normal operation)
- Ready & Easy to use
- No acid handling - Very safe
- Increased power & Extended life
- Extreme vibration resistance

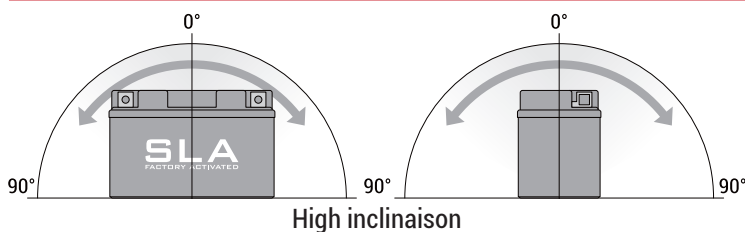
UPGRADE FOR

DRY 12N5.5-3B

WEIGHT

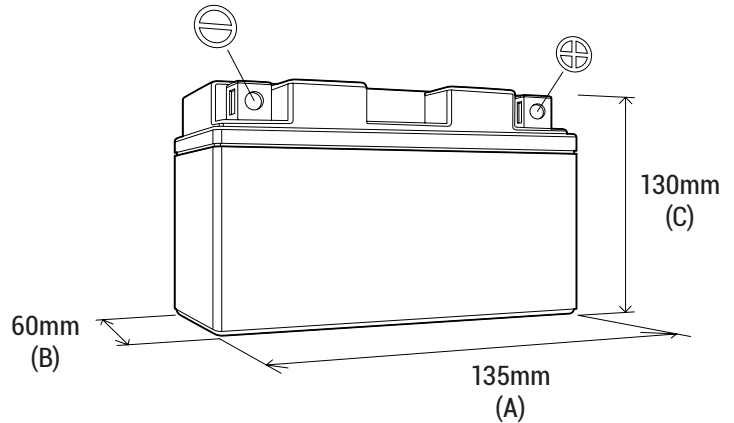
Battery (with acid): Approx 2.31kg

MOUNTING ANGLE



DIMENSIONS

Length (A):	135mm ±2mm
Width (B):	60mm ±2mm
Container height:	130mm ±2mm
Total height (C):	130mm ±2mm



TERMINALS (mm)

