

DRY BATTERY

DRY | CONVENTIONAL

REF **6N6-3B**



- 6v** VOLTAGE - v
- 6.3Ah** CAPACITY - Ah (20Hr)
- 6Ah** CAPACITY - Ah (10Hr)

TECHNOLOGY

- Lead acid dry charged construction (absorbed acid)
- No acid in cells, must be filled with acid before use
- 6 & 12V batteries

FEATURES

- Upright installation only
- Has to be checked periodically and refilled with water if necessary
- Internal gas emission through venting hole
- Handle with care to prevent acid spillage
- Regular life duration
- Does not need to be recharged while stocked

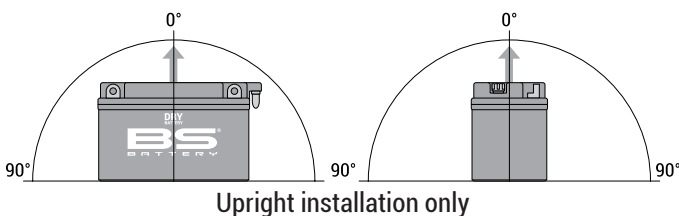
UPGRADE FOR

-

WEIGHT

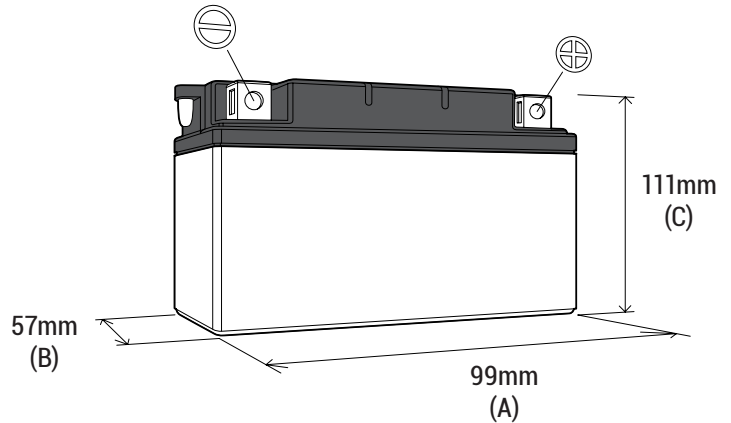
Battery (with acid): Approx 1.17kg

MOUNTING ANGLE



DIMENSIONS

Length (A): 99±2mm
 Width (B): 57±2mm
 Container height: 111±2mm
 Total height (C): 120±2mm



TERMINALS

