



DRY BATTERY

DRY | CONVENTIONAL

REF B39-6



- 6v** VOLTAGE - v
- 7.4Ah** VOLTAGE - Ah (20Hr)
- 7Ah** CAPACITY - Ah (10Hr)

TECHNOLOGY

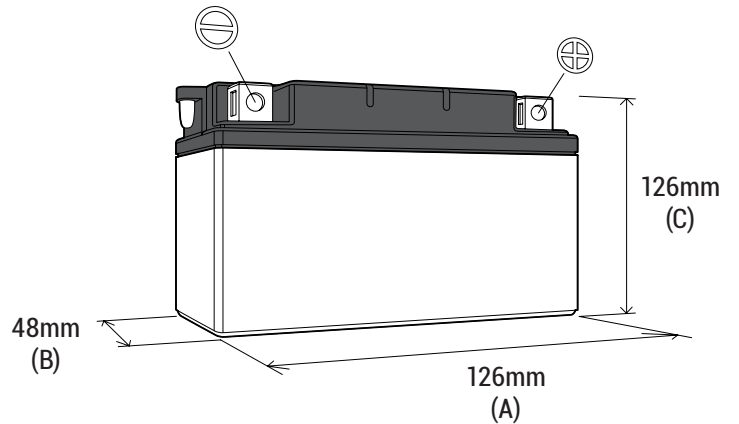
- Lead acid dry charged construction (absorbed acid)
- No acid in cells, must be filled with acid before use
- 6 & 12V batteries

FEATURES

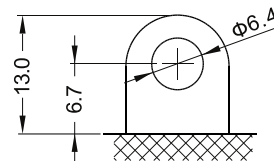
- Upright installation only
- Has to be checked periodically and refilled with water if necessary
- Internal gas emission through venting hole
- Handle with care to prevent acid spillage
- Regular life duration
- Does not need to be recharged while stocked

DIMENSIONS

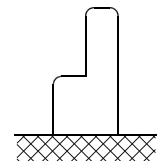
Length (A) :	126±2mm
Width (B) :	48±2mm
Container height :	126±2mm
Total height (C) :	126±2mm



TERMINALS

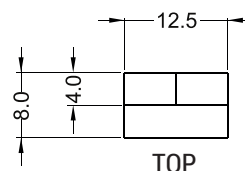


FRONT



SIDE

mm



TOP

UPGRADE FOR

WEIGHT

Battery (with acid) : Approx 1.42kg

MOUNTING ANGLE

