

DRY BATTERY

DRY | CONVENTIONAL

REF B54-6A



6v

VOLTAGE - v

12.6Ah

CAPACITY - Ah (20Hr)

12Ah

CAPACITY - Ah (10Hr)

TECHNOLOGY

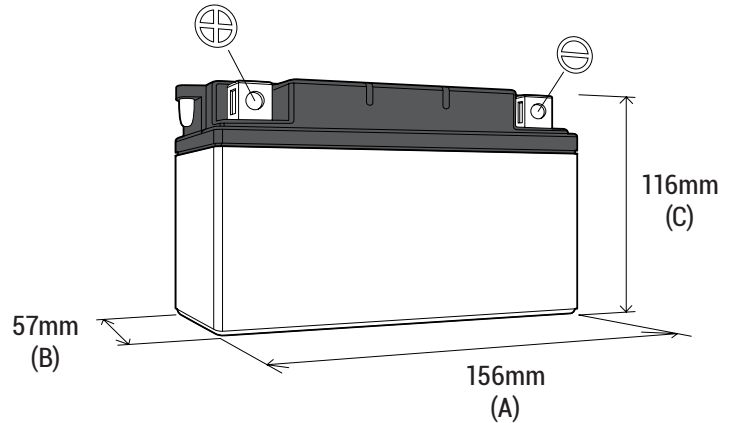
- Lead acid dry charged construction (absorbed acid)
- No acid in cells, must be filled with acid before use
- 6 & 12V batteries

FEATURES

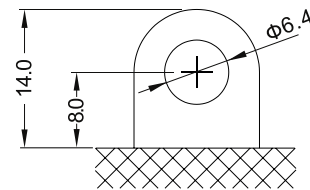
- Upright installation only
- Has to be checked periodically and refilled with water if necessary
- Internal gas emission through venting hole
- Handle with care to prevent acid spillage
- Regular life duration
- Does not need to be recharged while stocked

DIMENSIONS

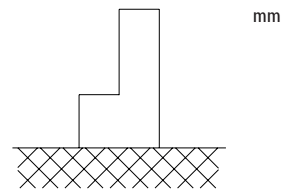
Length (A):	156±2mm
Width (B):	57±2mm
Container height:	116±2mm
Total height (C):	116±2mm



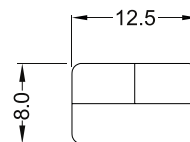
TERMINALS



FRONT



SIDE



TOP

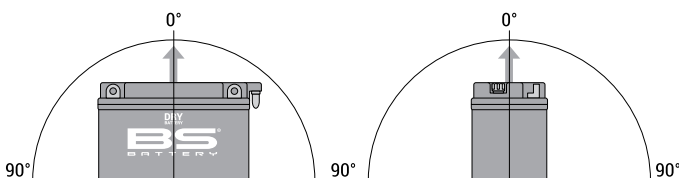
UPGRADE FOR

-

WEIGHT

Battery (with acid): Approx 2.18kg

MOUNTING ANGLE



Upright installation only