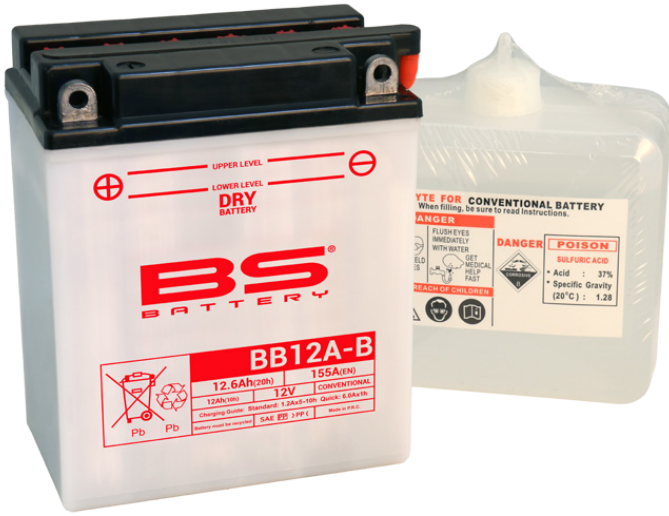


DRY BATTERY

DRY | CONVENTIONAL

REF **BB12A-B**



12V VOLTAGE - V

155A CCA - A

12.6Ah CAPACITY - Ah (20Hr)

12Ah CAPACITY - Ah (10Hr)

TECHNOLOGY

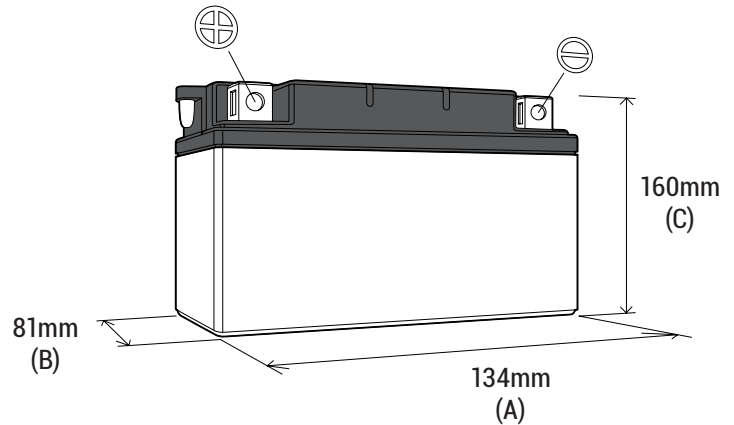
- Lead acid dry charged construction (absorbed acid)
- No acid in cells, must be filled with acid before use
- 6 & 12V batteries

FEATURES

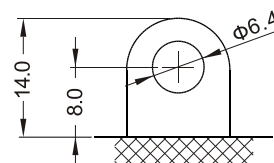
- Upright installation only
- Has to be checked periodically and refilled with water if necessary
- Internal gas emission through venting hole
- Handle with care to prevent acid spillage
- Regular life duration
- Does not need to be recharged while stocked

DIMENSIONS

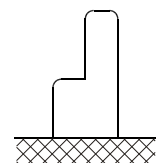
| | |
|--------------------|---------|
| Length (A) : | 134±2mm |
| Width (B) : | 81±2mm |
| Container height : | 160±2mm |
| Total height (C) : | 160±2mm |



TERMINALS

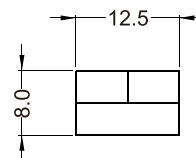


FRONT



SIDE

mm



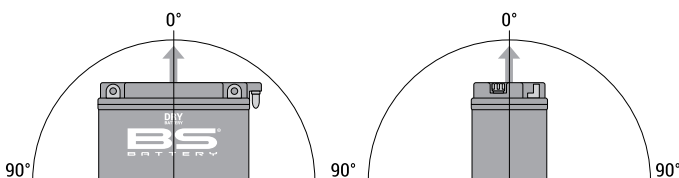
TOP

UPGRADE FOR

WEIGHT

Battery (with acid) : Approx 4.06kg

MOUNTING ANGLE



Upright installation only