

VRLA BATTERY

VRLA | GENERAL PURPOSE APPLICATION

REF **BP12-4.5**



12v VOLTAGE - v

4.5Ah CAPACITY - Ah (20Hr)

4.2Ah CAPACITY - Ah (10Hr)

TECHNOLOGY

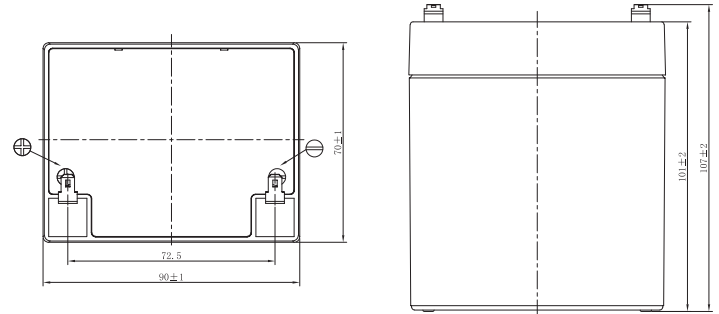
- AGM technology (Absorbed Acid)
- Sealed valve-regulated
- Spill proof / leak proof
- Lead calcium Grids for superior life
- Design life: 5 years at 20°C ambient temperature

FEATURES

- Maintenance free, no water adding required
- Deep discharge protection
- No corrosion
- Multi-positional fitment
- Low gassing
- Rugged impact resistance ABS case
- Low self-discharge rate
- Very good cycling and stationary performance

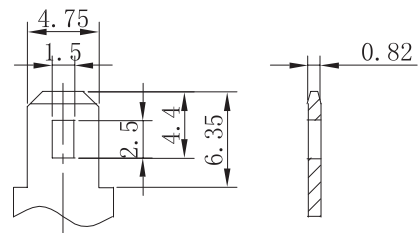
DIMENSIONS

Length:	90 ±1mm
Width:	70 ±1mm
Container height:	101 ±2mm
Total height:	107 ±2mm



TERMINALS (mm)

T1



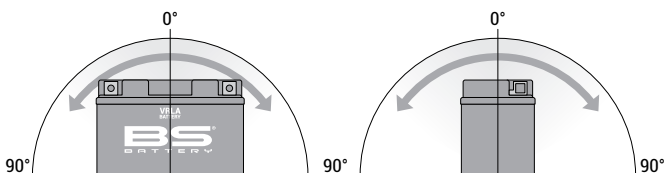
UPGRADE FOR

-

WEIGHT

Battery (with acid) : Approx 1.50kg

MOUNTING ANGLE



High inclinasion