

SLA^{MAX}

FACTORY ACTIVATED

SLA MAX | PREMIUM QUALITY READY TO START

REF BTX16H



12V VOLTAGE - V

220A CCA - A (EN)

16Ah CAPACITY - Ah (20Hr)

14Ah CAPACITY - Ah (10Hr)

TECHNOLOGY

- AGM construction (Absorbed Glass Material)
- VRLA battery (Valve Regulated Lead Acid)
- Activated and pre-charged batteries
- Homologated by OEM

FEATURES

- Factory activated : Ready-to-start battery
- Totally sealed
- Safe & Environmentally friendly
- Superior capacity
- Increased power & Extended life
- Low discharge rate
- Absolutely maintenance free
- Sealed, no gas emission through venting hole (under normal operation)
- Extreme vibration resistance
- Spillproof design
- Multi-positional fitment
- No acid handling - Very safe

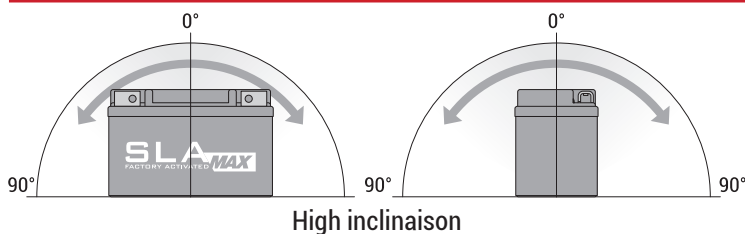
UPGRADE FOR

MF BTX16-BS
SLA BTX16

WEIGHT

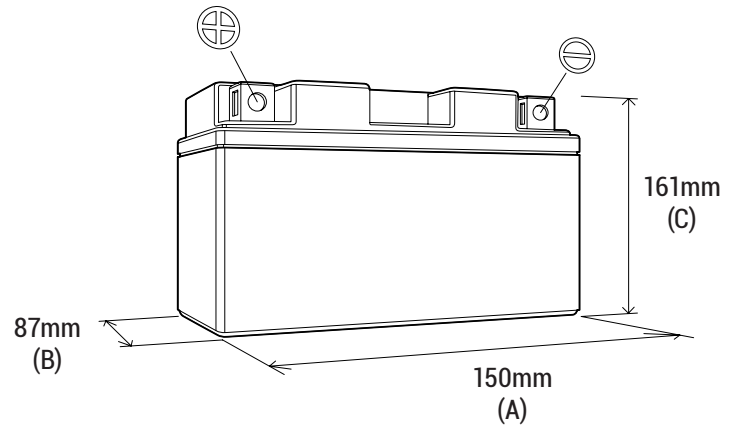
Battery (with acid): Approx 5.45kg

MOUNTING ANGLE



DIMENSIONS

Length (A): 150mm ±2mm
 Width (B): 87mm ±2mm
 Container height: 161mm ±2mm
 Total height (C): 161mm ±2mm



TERMINALS (mm)

