



## SLA<sup>MAX</sup> FACTORY ACTIVATED

SLA MAX | PREMIUM QUALITY READY TO START

# REF BTX20HL



**12v** VOLTAGE - v

**310A** CCA - A (EN)

**21.1Ah** CAPACITY - Ah (20Hr)

**20Ah** CAPACITY - Ah (10Hr)

### TECHNOLOGY

- AGM construction (Absorbed Glass Material)
- VRLA battery (Valve Regulated Lead Acid)
- Activated and pre-charged batteries
- Homologated by OEM

### FEATURES

- Factory activated : Ready-to-start battery
- Totally sealed
- Safe & Environmentally friendly
- Superior capacity
- Increased power & Extended life
- Low discharge rate
- Absolutely maintenance free
- Sealed, no gas emission through venting hole (under normal operation)
- Extreme vibration resistance
- Spillproof design
- Multi-positional fitment
- No acid handling - Very safe

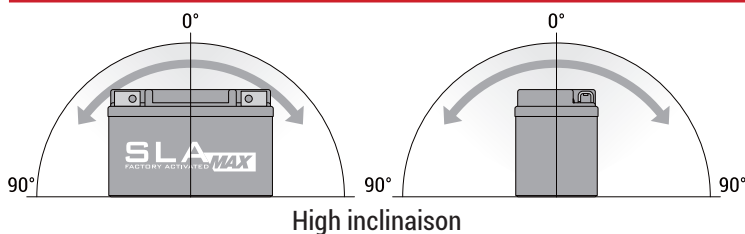
### UPGRADE FOR

**DRY** BB18L-A  
**MF** BTX20L-BS ; BTX20HL-BS  
**SLA** BTX20HL

### WEIGHT

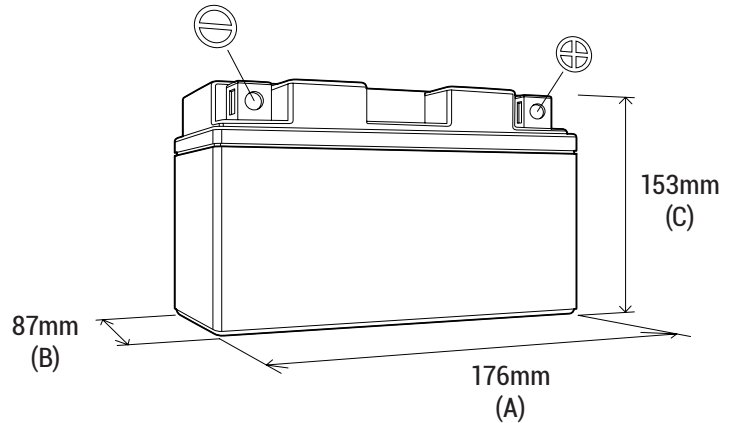
Battery (with acid): approx 6.50kg

### MOUNTING ANGLE

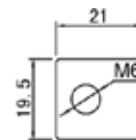


### DIMENSIONS

Length (A): 176mm ±2mm  
 Width (B): 87mm ±2mm  
 Container height: 153mm ±2mm  
 Total height (C): 153mm ±2mm



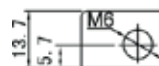
### TERMINALS (mm)



FRONT



SIDE



TOP