



SLA

FACTORY ACTIVATED

SLA | READY TO START

REF **BT12-10Z**



12V VOLTAGE - V

180A CCA - A

10.5Ah CAPACITY - Ah (20Hr)

10Ah CAPACITY - Ah (10Hr)

TECHNOLOGY

- Designed according to AGM technology (Absorbed acid)
- VRLA battery type
- Activated and pre-charged batteries
- Homologated by OEM

FEATURES

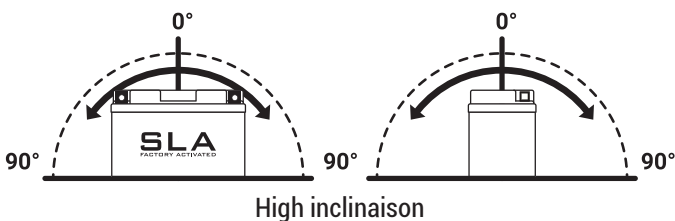
- AGM construction (Absorbed Glass Material)
- VRLA battery (Valve Regulated Lead Acid)
- Factory activated
- Environmentally friendly, spillproof design
- Multi-positional fitment
- Absolutely Maintenance free
- Sealed, no gas emission through venting hole (under normal operation)
- Ready & Easy to use
- No acid handling - Very safe
- Increased power & Extended life
- Extreme vibration resistance

UPGRADE FOR

WEIGHT

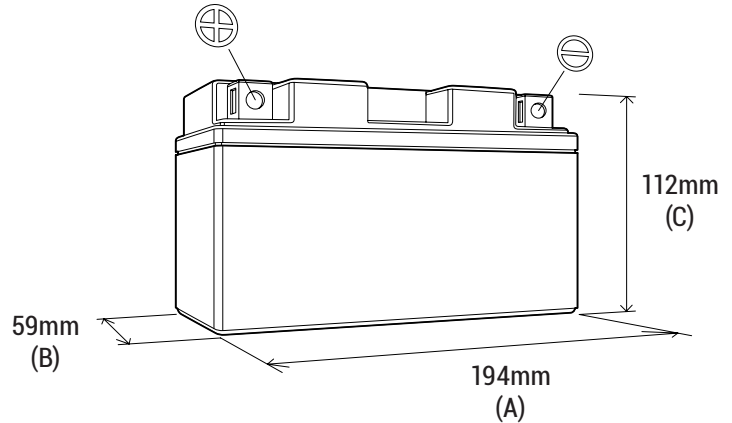
Battery (with acid): Approx 3.20kg

MOUNTING ANGLE

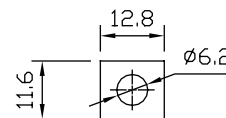


DIMENSIONS

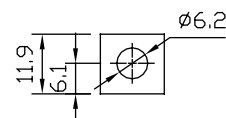
Length (A): 194mm ±2mm
 Width (B): 59mm ±2mm
 Container height: 112mm ±2mm
 Total height (C): 112mm ±2mm



TERMINALS (mm)



TOP



FRONT



SIDE