

## DRY BATTERY

DRY | CONVENTIONAL

REF **U1R-9**



**12V** VOLTAGE - V

**220A** CCA - A (EN)

**24Ah** CAPACITY - Ah (10Hr)

### TECHNOLOGY

- Lead acid dry charged construction (absorbed acid)
- No acid in cells, must be filled with acid before use
- 6 & 12V batteries

### FEATURES

- Upright installation only
- Has to be checked periodically and refilled with water if necessary
- Internal gas emission through venting hole
- Handle with care to prevent acid spillage
- Regular life duration
- Does not need to be recharged while stocked

### UPGRADE FOR

### WEIGHT

Battery (with acid): Approx 7.47kg

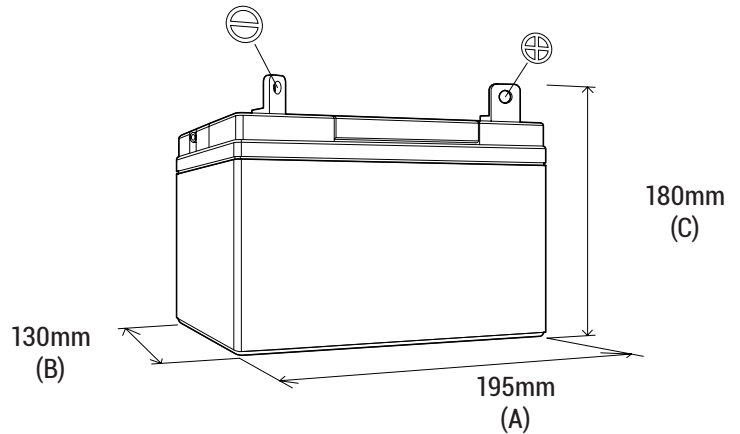
### MOUNTING ANGLE



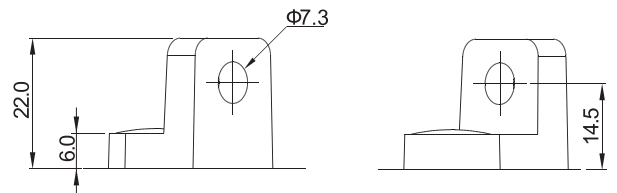
Upright installation only

### DIMENSIONS

Length (A): 195 ±2mm  
 Width (B): 130 ±2mm  
 Container height: 154 ±2mm  
 Total height (C): 180 ±2mm

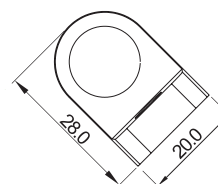


### TERMINALS (mm)



FRONT

SIDE



TOP