

# SLA

FACTORY ACTIVATED

SLA | READY TO START

REF **6N4-2A/A-4**



6v

VOLTAGE - v

25A

CCA - A

4.2Ah

CAPACITY - Ah (20Hr)

4Ah

CAPACITY - Ah(10Hr)

## TECHNOLOGY

- Designed according to AGM technology (Absorbed acid)
- VRLA battery type
- Activated and pre-charged batteries
- Homologated by OEM

## FEATURES

- AGM construction (Absorbed Glass Material)
- VRLA battery (Valve Regulated Lead Acid)
- Factory activated
- Environmentally friendly, spillproof design
- Multi-positional fitment
- Absolutely Maintenance free
- Sealed, no gas emission through venting hole (under normal operation)
- Ready & Easy to use
- No acid handling - Very safe
- Increased power & Extended life
- Extreme vibration resistance

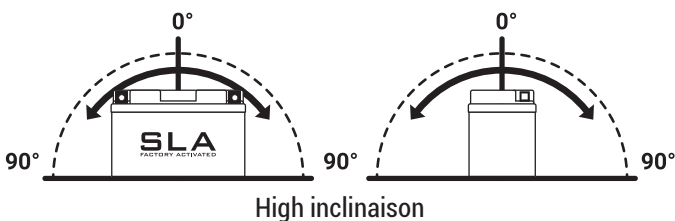
## UPGRADE FOR

DRY 6N4-2A/A-4

## WEIGHT

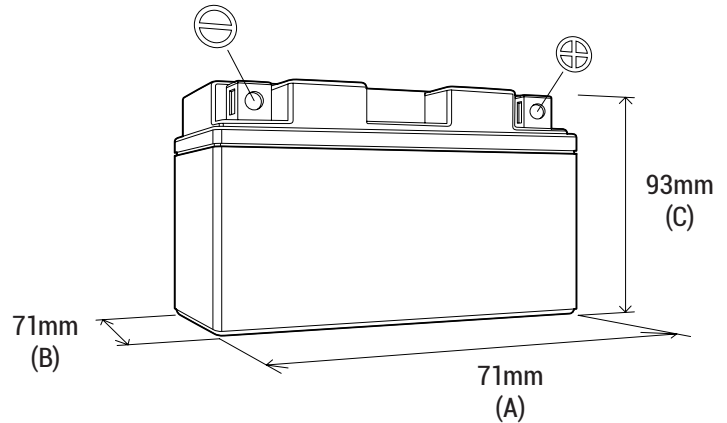
Battery (with acid): Approx 0.75kg

## MOUNTING ANGLE



## DIMENSIONS

Length (A):	71mm ±2mm
Width (B):	71mm ±2mm
Container height:	93mm ±2mm
Total height (C):	93mm ±2mm



## TERMINALS (mm)

