

SLA

FACTORY ACTIVATED

SLA | READY TO START

REF BB2.5L-C



12v VOLTAGE - v

25A CCA - A (EN)

2.6Ah CAPACITY - Ah (20Hr)

2.5Ah CAPACITY - Ah (10Hr)

TECHNOLOGY

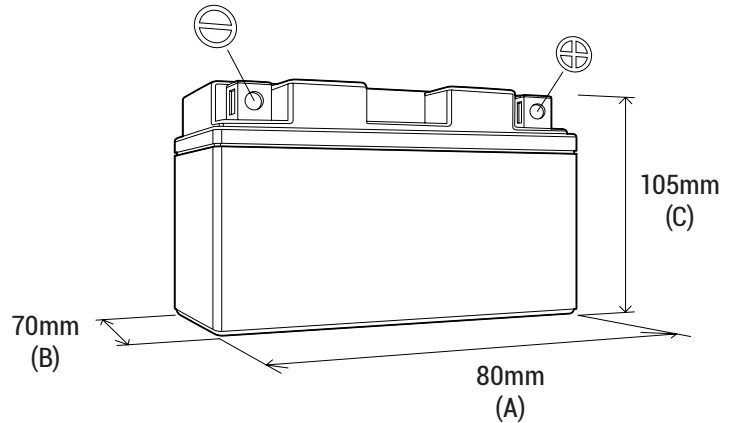
- Designed according to AGM technology (Absorbed acid)
- VRLA battery type
- Activated and pre-charged batteries
- Homologated by OEM

FEATURES

- AGM construction (Absorbed Glass Material)
- VRLA battery (Valve Regulated Lead Acid)
- Factory activated
- Environmentally friendly, spillproof design
- Multi-positional fitment
- Absolutely Maintenance free
- Sealed, no gas emission through venting hole (under normal operation)
- Ready & Easy to use
- No acid handling - Very safe
- Increased power & Extended life
- Extreme vibration resistance

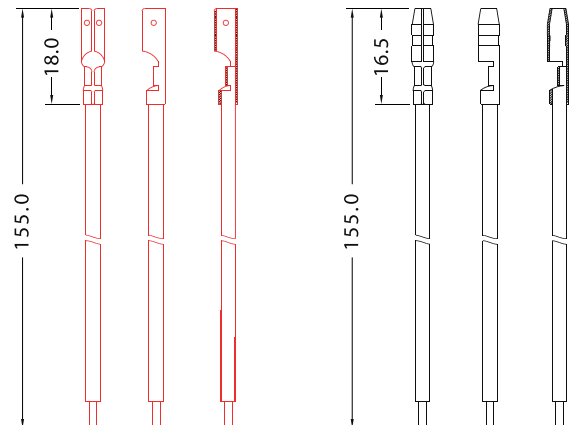
DIMENSIONS

Length (A):	80mm ±2mm
Width (B):	70mm ±2mm
Container height:	105mm ±2mm
Total height (C):	105mm ±2mm



TERMINALS (mm)

Terminal type +/-



UPGRADE FOR

DRY BB2.5L-C

WEIGHT

Battery (with acid): Approx 0.24kg

MOUNTING ANGLE

