

DRY BATTERY

DRY | CONVENTIONAL

REF **BB12AL-A/A2**



12V VOLTAGE - V

155A CCA - A

12.6Ah CAPACITY - Ah (20Hr)

12Ah CAPACITY - Ah (10Hr)

TECHNOLOGY

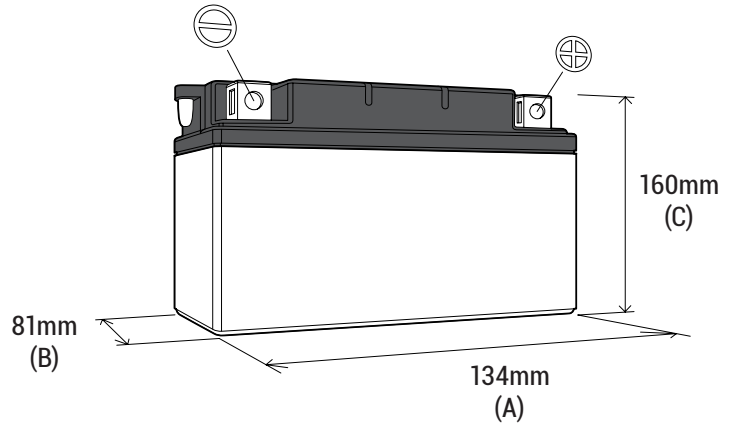
- Lead acid dry charged construction (absorbed acid)
- No acid in cells, must be filled with acid before use
- 6 & 12V batteries

FEATURES

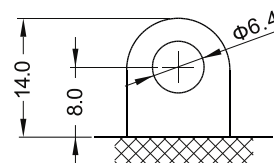
- Upright installation only
- Has to be checked periodically and refilled with water if necessary
- Internal gas emission through venting hole
- Handle with care to prevent acid spillage
- Regular life duration
- Does not need to be recharged while stocked

DIMENSIONS

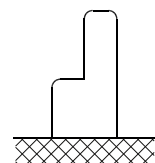
Length (A):	134mm ±2mm
Width (B):	81mm ±2mm
Container height:	160mm ±2mm
Total height (C):	160mm ±2mm



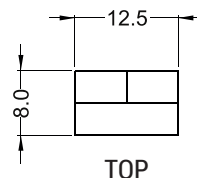
TERMINALS (mm)



FRONT



SIDE



TOP

UPGRADE FOR

WEIGHT

Battery (with acid): Approx 4.06kg

MOUNTING ANGLE



Upright installation only