

DRY BATTERY

DRY | CONVENTIONAL

B50-N18L-A/A2 12N18-3A

REF



12v VOLTAGE - v

250A CCA - A

21.1Ah CAPACITY - Ah (20Hr)

20Ah CAPACITY - Ah (10Hr)

TECHNOLOGY

- Lead acid dry charged construction (absorbed acid)
- No acid in cells, must be filled with acid before use
- 6 & 12V batteries

FEATURES

- Upright installation only
- Has to be checked periodically and refilled with water if necessary
- Internal gas emission through venting hole
- Handle with care to prevent acid spillage
- Regular life duration
- Does not need to be recharged while stocked

UPGRADE FOR

WEIGHT

Battery (with acid): Approx 6.53kg

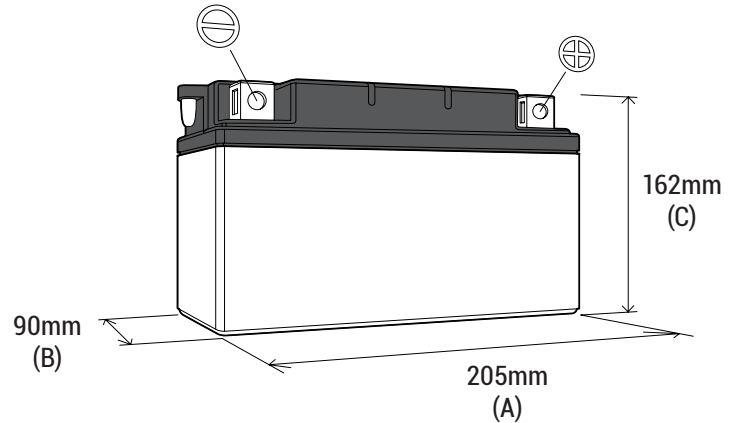
MOUNTING ANGLE



Upright installation only

DIMENSIONS

Length (A): 205mm ±2mm
 Width (B): 90mm ±2mm
 Container height: 162mm ±2mm
 Total height (C): 162mm ±2mm



TERMINALS (mm)

