

## SLA MAX<sup>®</sup>

FACTORY ACTIVATED

SLA MAX | PREMIUM QUALITY READY TO START

# REF BGZ32HL



**12v** VOLTAGE - v

**500A** CCA - A (EN)

**33.7Ah** CAPACITY - Ah (20Hr)

**32Ah** CAPACITY - Ah(10Hr)

### TECHNOLOGY

- AGM construction (Absorbed Glass Material)
- VRLA battery (Valve Regulated Lead Acid)
- Activated and pre-charged batteries
- Homologated by OEM

### FEATURES

- Factory activated: Ready-to-start battery
- Totally sealed
- Safe & Environmentally friendly
- Superior capacity
- Increased power & Extended life
- Low discharge rate
- Absolutely maintenance free
- Sealed, no gas emission through venting hole (under normal operation)
- Extreme vibration resistance
- Spillproof design
- Multi-positional fitment
- No acid handling - Very safe

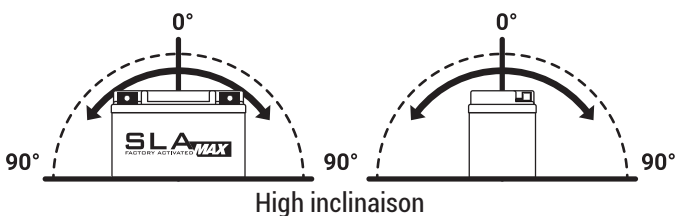
### UPGRADE FOR

DRY BB30L-B  
MF BIX30L-BS  
SLA BTX30L | SLA MAX BIX30HL

### WEIGHT

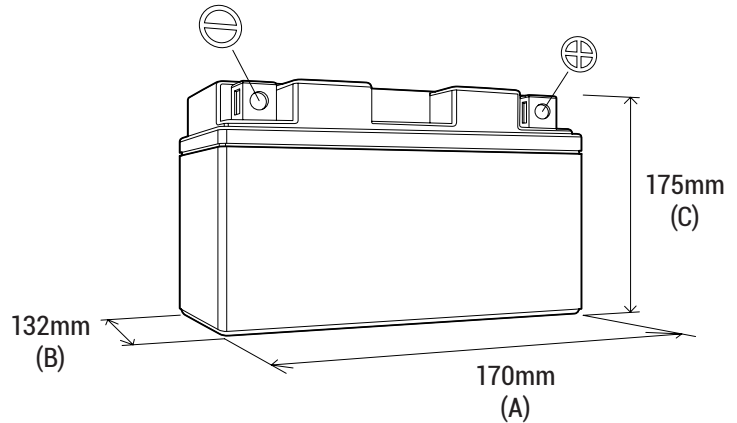
Battery (with acid): approx 10.38kg

### MOUNTING ANGLE

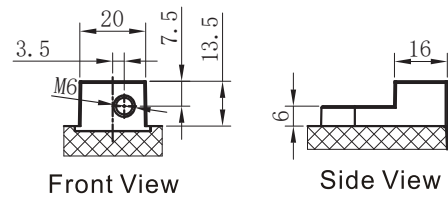


### DIMENSIONS

Length (A): 170mm ±2mm  
Width (B): 132mm ±2mm  
Container height: 175mm ±2mm  
Total height (C): 175mm ±2mm

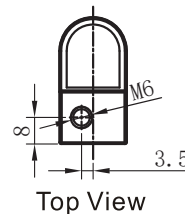


### TERMINALS (mm)



Front View

Side View



Top View