

LITHIUM

LiFePO4

MAX

LITHIUM (LiFePO4) | High Performance

REF BSLi-02 MAX



TECHNOLOGY

- Lithium Iron Phosphate cells construction
- Pre-charged batteries
- Homologated by OEM

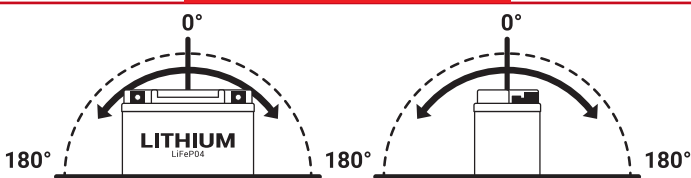
FEATURES

- Fast charging
- Multi-positioning mounting
- Very safe and environmental friendly
- Extensive cycle life: over 2000 cycles
- Very low self-discharge
- Cold temperature performance
- Waterproof design
- Ready to use: just plug and play
- Robust brass terminals
- Heat resistance: up to 230°C
- Lighter weight

REPLACEMENTS

LITHIUM	SLA	MF	DRY
BSLi-02	12N5.5-3B	BTX4L-BS+/ BTZ5S-BS	12N5.5-3B
	BB4L-B	BTX5L-BS	BB4L-B
	BB7C-A	BTX7L-BS	BB6.5L-B
	BB7L-B2	BTZ7S-B	BB7C-A
	BTX4L+/ BTZ5S		BB7L-B
	BTX5L/BTZ6S		BB7L-B2
	BTX7L		
	BTZ7S		
	BTZ7V		
	BTZ8V		

MOUNTING ANGLE



NON-SPILLABLE

12_v VOLTAGE

36_{Wh} ENERGY

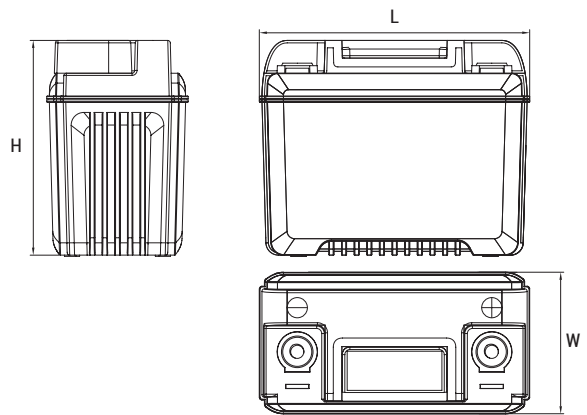
180_A CCA

OPERATING TEMP. RANGE

Charge temperature: 0°C to 45°C
 Discharge temperature: -20°C to 55°C
 Storage temperature: 0°C to 30°C

DIMENSIONS & WEIGHT

Length (L): 114mm ±1mm
 Width (W): 70mm ±1mm
 Height (H): 85mm ±1mm
 Weight: 0.55kg (tolerance ±3%)



TERMINALS (mm)

