

LITHIUM

LiFePO4

MAX

LITHIUM (LiFePO4) | High Performance

REF BSLi-10 MAX



12_v VOLTAGE

180_{Wh} ENERGY

750_A CCA

TECHNOLOGY

- Lithium Iron Phosphate cells construction
- Pre-charged batteries
- Homologated by OEM

FEATURES

- Fast charging
- Multi-positionning mounting
- Very safe and environmental friendly
- Extensive cycle life: over 2000 cycles
- Very low self-discharge
- Cold temperature performance
- Waterproof design
- Ready to use: just plug and play
- Robust brass terminals
- Heat resistance: up to 230°C
- Lighter weight

REPLACEMENTS

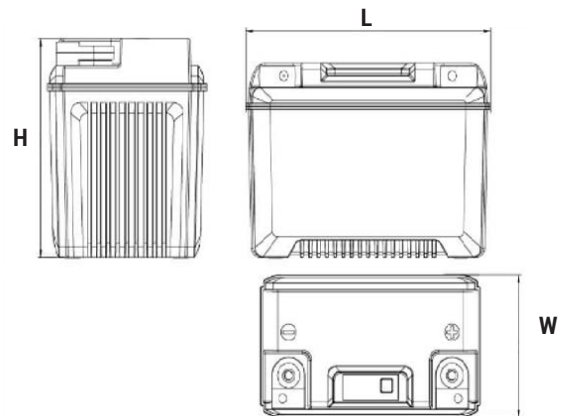
LITHIUM	SLA	MF	DRY
BSLi-10	BTX20HL	BTX20L-BS	BB18L-A
	BTX24HL/ B50N15L-A/ A2/A3	BTX20HL-BS BTX24HL-BS	B50-N18L-A B50-N18L-A2/ A3/AT

OPERATING TEMP. RANGE

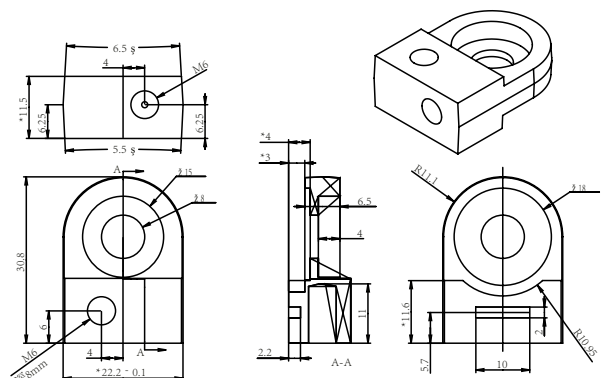
Charge temperature:	0°C to 45°C
Discharge temperature:	-20°C to 55°C
Storage temperature:	0°C to 30°C

DIMENSIONS & WEIGHT

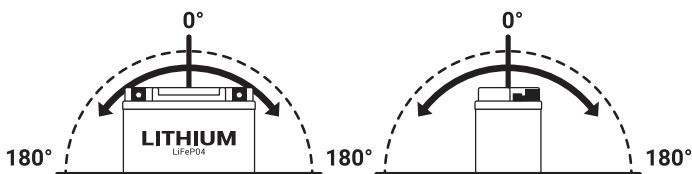
Length (L):	175mm ±1mm
Width (W):	87mm ±1mm
Height (H):	155mm ±1mm
Weight	2.70kg (tolerance ±3%)



TERMINALS (mm)



MOUNTING ANGLE



High inclinasion

NON-SPILLABLE