

LITHIUM

LiFePO4

MAX

LITHIUM (LiFePO4) | High Performance

REF BSLi-12 MAX



12_v VOLTAGE

216_{Wh} ENERGY

900_A CCA

TECHNOLOGY

- Lithium Iron Phosphate cells construction
- Pre-charged batteries
- Homologated by OEM

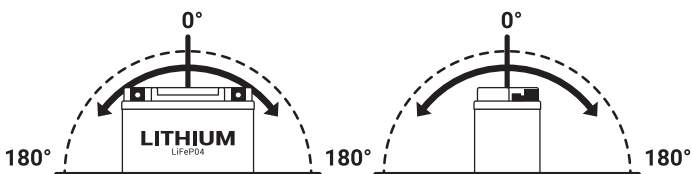
FEATURES

- Fast charging
- Multi-positionning mounting
- Very safe and environmental friendly
- Extensive cycle life: over 2000 cycles
- Very low self-discharge
- Cold temperature performance
- Waterproof design
- Ready to use: just plug and play
- Robust brass terminals
- Heat resistance: up to 230°C
- Lighter weight

REPLACEMENTS

LITHIUM	SLA	MF	DRY
BSLi-12	BIX30L BIX30HL 53030	BIX30L-BS	BB30L-B BB30CL-B B60-N30L-A 12N24-3A 52515 53030

MOUNTING ANGLE



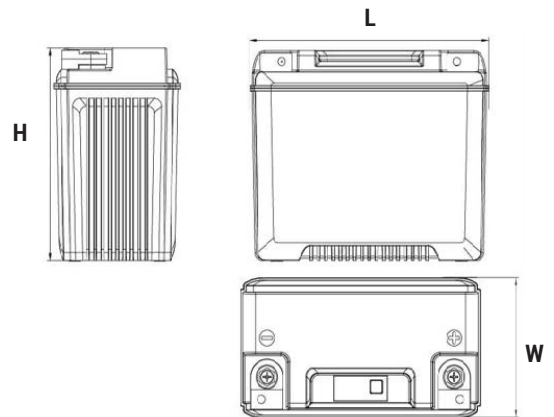
NON-SPILLABLE

OPERATING TEMP. RANGE

Charge temperature:	0°C to 45°C
Discharge temperature:	-20°C to 55°C
Storage temperature:	0°C to 30°C

DIMENSIONS & WEIGHT

Length (L):	166mm ±1mm
Width (W):	127mm ±1mm
Height (H):	175mm ±1mm
Weight	3.04kg (tolerance ±3%)



TERMINALS (mm)

