



SLA^{MAX}

FACTORY ACTIVATED

SLA MAX | PREMIUM QUALITY READY TO START

REF BGZ20HL



12V VOLTAGE - v

360A CCA

21.1Ah CAPACITY - Ah (20Hr)

20Ah CAPACITY - Ah (10Hr)

TECHNOLOGY

- AGM construction (Absorbed Glass Material)
- VRLA battery (Valve Regulated Lead Acid)
- Activated and pre-charged batteries
- Homologated by OEM

FEATURES

- Factory activated: Ready-to-start battery
- Totally sealed
- Safe & Environmentally friendly
- Superior capacity
- Increased power & Extended life
- Low discharge rate
- Absolutely maintenance free
- Sealed, no gas emission through venting hole (under normal operation)
- Extreme vibration resistance
- Spillproof design
- Multi-positional fitment
- No acid handling - Very safe

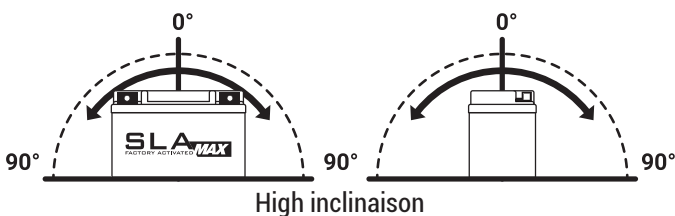
UPGRADE FOR

DRY BB18L-A
MF BTX20L-BS ; BTX20HL-BS
SLA BTX20HL | **SLA MAX** BTX20HL

WEIGHT

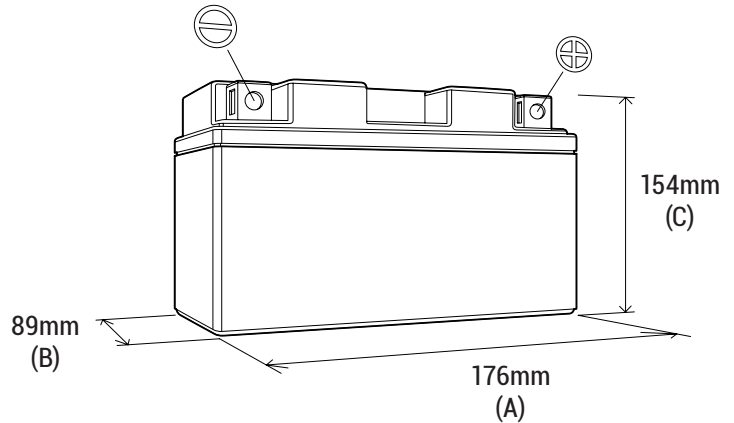
Battery (with acid): approx 6.96kg

MOUNTING ANGLE



DIMENSIONS

Length (A): 176mm ±2mm
 Width (B): 89mm ±2mm
 Container height: 154mm ±2mm
 Total height (C): 154mm ±2mm



TERMINALS (mm)

