

12N9-4B-1

BS CODE: **310537**

VOLTAGE **12V**

CCA **85A**

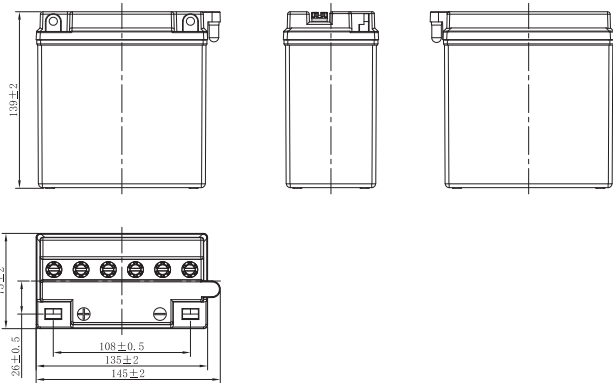
CAPACITY 20HR **9.5Ah**

CAPACITY 10HR **9.0Ah**

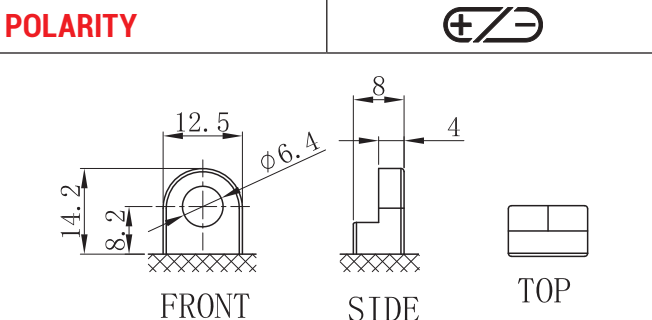


DIMENSIONS

LENGTH	135 ±2mm	5.31 ±0.08inch
WIDTH	75 ±2mm	2.95 ±0.08inch
TOTAL HEIGHT	139 ±2mm	5.47 ±0.08inch
WEIGHT	2.02 kg ±5%	4.45 lbs ±5%



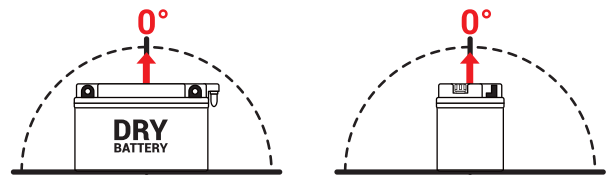
TERMINAL (mm)



DRY FEATURES

- TO BE ACTIVATED**
DRY-charged technology.
- ACID PACK INCLUDED**
For initial filling.
- PERIODIC MAINTENANCE**
Refilled with water if necessary.
- HANDLE WITH CARE TO PREVENT ACID SPILLAGE**
- LONG SHELF LIFE**
No need to be recharged while stocked (if not activated).
- INTERNAL GAS EMISSION THROUGH VENTING HOLE**
- WIDE VARIETY OF 6V & 12V MODELS**

MOUNTING ANGLE



UPGRADE FOR

SLA MAX	SLA	MF	DRY
-	-	-	-