

## 6N4A-4D

BS CODE: 310513

VOLTAGE **6V**

CCA **25A**

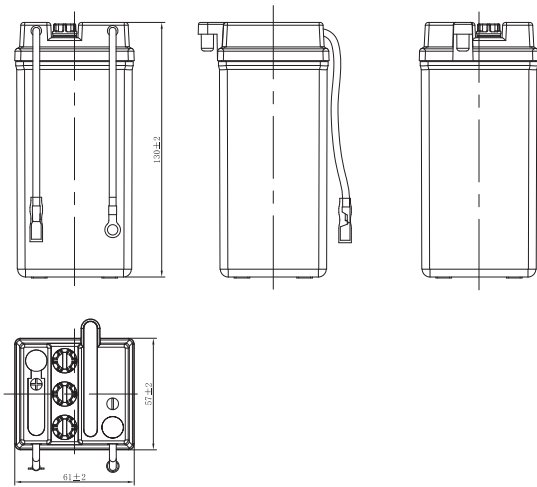
CAPACITY 20HR **4.2Ah**

CAPACITY 10HR **4.0Ah**



### DIMENSIONS

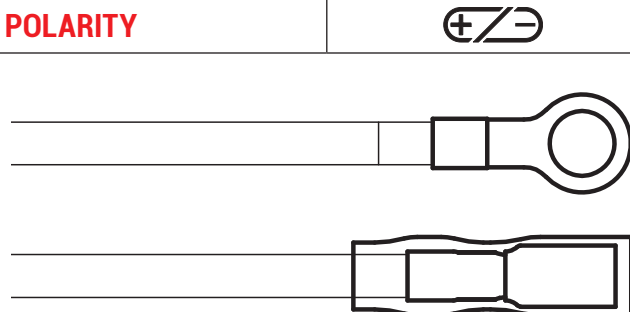
<b>LENGTH</b>	61 ±2mm	2.4 ±0.08inch
<b>WIDTH</b>	57 ±2mm	2.24 ±0.08inch
<b>TOTAL HEIGHT</b>	130 ±2mm	5.12 ±0.08inch
<b>WEIGHT</b>	0.7 kg ±5%	1.54 lbs ±5%



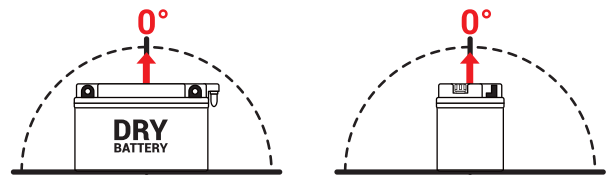
### DRY FEATURES

- TO BE ACTIVATED**  
DRY-charged technology.
- ACID PACK INCLUDED**  
For initial filling.
- PERIODIC MAINTENANCE**  
Refilled with water if necessary.
- HANDLE WITH CARE TO PREVENT ACID SPILLAGE**
- LONG SHELF LIFE**  
No need to be recharged while stocked (if not activated).
- INTERNAL GAS EMISSION THROUGH VENTING HOLE**
- WIDE VARIETY OF 6V & 12V MODELS**

### TERMINAL (mm)



### MOUNTING ANGLE



### UPGRADE FOR

SLA MAX	SLA	MF	DRY
-	-	-	-