

BB16-B

BS CODE: 310577

VOLTAGE **12V**

CCA **215A**

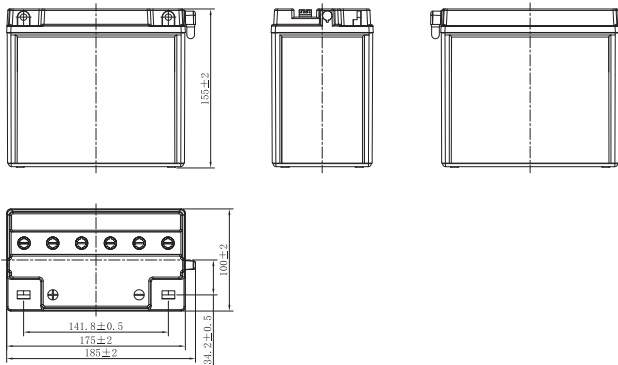
CAPACITY 20HR **20.0Ah**

CAPACITY 10HR **19.0Ah**

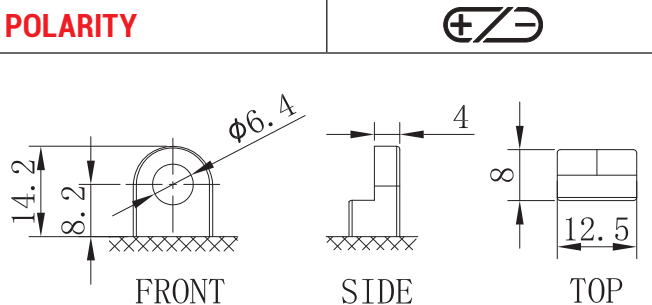


DIMENSIONS

LENGTH	175 ±2mm	6.89 ±0.08inch
WIDTH	100 ±2mm	3.94 ±0.08inch
TOTAL HEIGHT	155 ±2mm	6.1 ±0.08inch
WEIGHT	4.43 kg ±5%	9.77 lbs ±5%



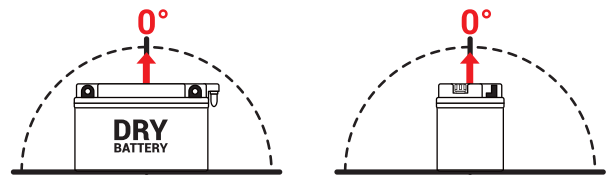
TERMINAL (mm)



DRY FEATURES

- TO BE ACTIVATED**
DRY-charged technology.
- ACID PACK INCLUDED**
For initial filling.
- PERIODIC MAINTENANCE**
Refilled with water if necessary.
- HANDLE WITH CARE TO PREVENT ACID SPILLAGE**
- LONG SHELF LIFE**
No need to be recharged while stocked (if not activated).
- INTERNAL GAS EMISSION THROUGH VENTING HOLE**
- WIDE VARIETY OF 6V & 12V MODELS**

MOUNTING ANGLE



UPGRADE FOR

SLA MAX	SLA	MF	DRY
-	-	-	-