

BB16B-A

BS CODE: 310580

VOLTAGE **12V**

CCA **210A**

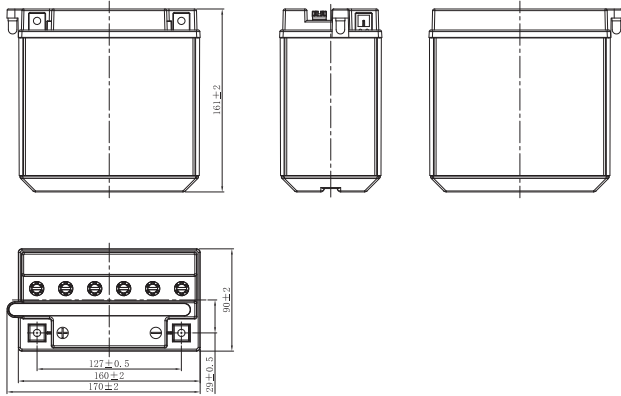
CAPACITY 20HR **16.8Ah**

CAPACITY 10HR **16.0Ah**



DIMENSIONS

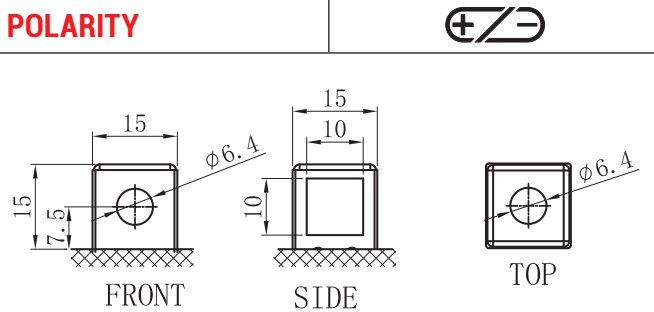
LENGTH	160 ±2mm	6.3 ±0.08inch
WIDTH	90 ±2mm	3.54 ±0.08inch
TOTAL HEIGHT	161 ±2mm	6.34 ±0.08inch
WEIGHT	3.83 kg ±5%	8.44 lbs ±5%



DRY FEATURES

- TO BE ACTIVATED**
DRY-charged technology.
- ACID PACK INCLUDED**
For initial filling.
- PERIODIC MAINTENANCE**
Refilled with water if necessary.
- HANDLE WITH CARE TO PREVENT ACID SPILLAGE**
- LONG SHELF LIFE**
No need to be recharged while stocked (if not activated).
- INTERNAL GAS EMISSION THROUGH VENTING HOLE**
- WIDE VARIETY OF 6V & 12V MODELS**

TERMINAL (mm)



MOUNTING ANGLE



UPGRADE FOR

SLA MAX	SLA	MF	DRY
-	-	-	-