

## BSLI-05

BS CODE: 360105

VOLTAGE **12V**

ENERGY **48Wh**

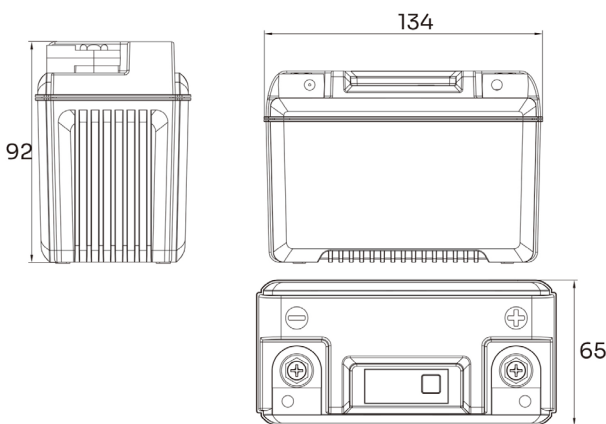
CCA **280A**

CAPACITY 10HR **4.0Ah**



### DIMENSIONS

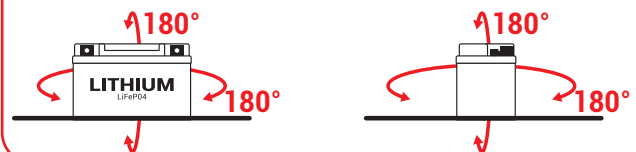
<b>LENGTH</b>	134 ±2mm	5.28 ±0.08inch
<b>WIDTH</b>	65 ±2mm	2.56 ±0.08inch
<b>TOTAL HEIGHT</b>	92 ±2mm	3.62 ±0.08inch
<b>WEIGHT</b>	0.95 kg ±5%	2.09 lbs ±5%



### LITHIUM FEATURES

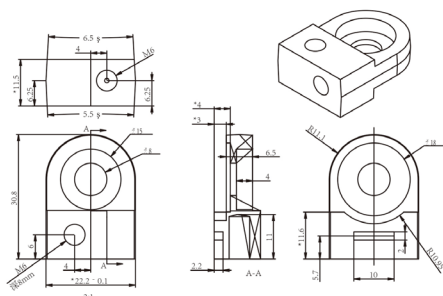
- READY TO USE**  
Just plug & play.
- LIGHTER WEIGHT**  
Up to 70% lighter than Lead Acid batteries.
- EXTENSIVE CYCLE LIFE**  
Over 2 000 cycles.
- HEAT RESISTANCE**  
Up to 230°C.
- ROBUST BRASS TERMINALS**  
To enhance electrical performance.
- STATE OF CHARGE INDICATOR**  
Monitor the state of charge with the indicator screen on the top.
- SPACERS**  
For superior performance and limited vibrations, our Lithium batteries are much smaller than the Lead Acid ones. Different spacer types are delivered with each battery to fit the casing easily.

### MOUNTING ANGLE



### TERMINAL (mm)

**POLARITY**



### UPGRADE FOR

LITHIUM	SLA MAX	SLA	MF	DRY
-	-	BTX14AHL/ BB14L-A2/ B2 BB10L-A2/ B2 BB12AL-A2 BB16AL-A2	BTX14AHL- BS	BB10L-A2 BB10L-B2 BB10L-BP BB12AL-A/ A2 BB14L- A2/12N14- 3A BB14L-B2 BB16AL-A2