

BB2.5L-C

BS CODE: **300847**

VOLTAGE **12V**

CCA **25A**

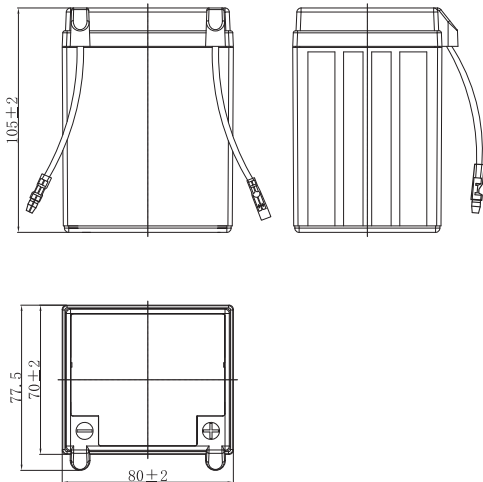
CAPACITY 20HR **2.6Ah**

CAPACITY 10HR **2.5Ah**



DIMENSIONS

LENGTH	80 ±2mm	3.15 ±0.08inch
WIDTH	70 ±2mm	2.76 ±0.08inch
TOTAL HEIGHT	105 ±2mm	4.13 ±0.08inch
WEIGHT	1.04 kg ±5%	2.29 lbs ±5%



TERMINAL (mm)

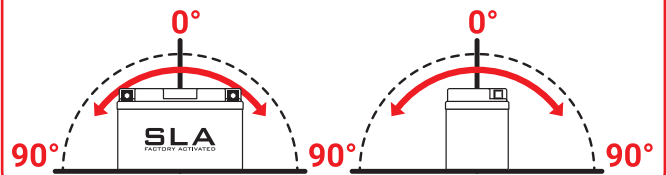
POLARITY



SLA FEATURES

- FACTORY ACTIVATED**
AGM (Absorbent Glass Mat) technology.
- READY TO USE**
Just plug & play.
- NO MAINTENANCE**
VRLA (Valve Regulated Lead Acid) design.
- SPILL-PROOF DESIGN**
Factory sealed & electrolyte held in a glass fiber mat.
- NO ACID HANDLING**
Very safe.
- HIGH STARTING POWER & EXTENDED CYCLE LIFE**

MOUNTING ANGLE



UPGRADE FOR

SLA MAX	SLA	MF	DRY
-	-	-	-