

BB7B-B

BS CODE: **300848**

VOLTAGE **12V**

CCA **80A**

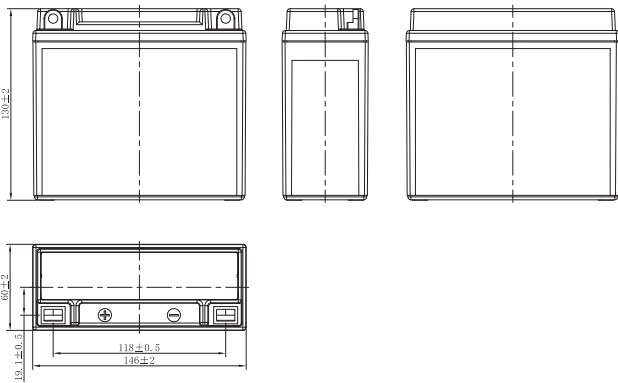
CAPACITY 20HR **7.4Ah**

CAPACITY 10HR **7.0Ah**

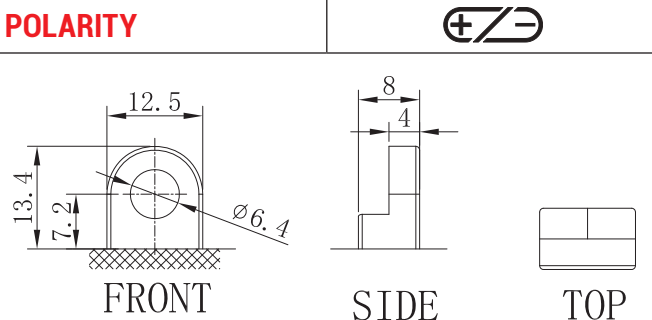


DIMENSIONS

LENGTH	146 ±2mm	5.75 ±0.08inch
WIDTH	60 ±2mm	2.36 ±0.08inch
TOTAL HEIGHT	130 ±2mm	5.12 ±0.08inch
WEIGHT	2.4 kg ±5%	5.29 lbs ±5%



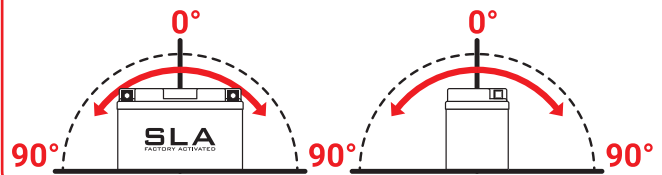
TERMINAL (mm)



SLA FEATURES

- FACTORY ACTIVATED**
AGM (Absorbent Glass Mat) technology.
- READY TO USE**
Just plug & play.
- NO MAINTENANCE**
VRLA (Valve Regulated Lead Acid) design.
- SPILL-PROOF DESIGN**
Factory sealed & electrolyte held in a glass fiber mat.
- NO ACID HANDLING**
Very safe.
- HIGH STARTING POWER & EXTENDED CYCLE LIFE**

MOUNTING ANGLE



UPGRADE FOR

SLA MAX	SLA	MF	DRY
-	-	-	-