

BB7L-B2

BS CODE: **300836**

VOLTAGE **12V**

CCA **100A**

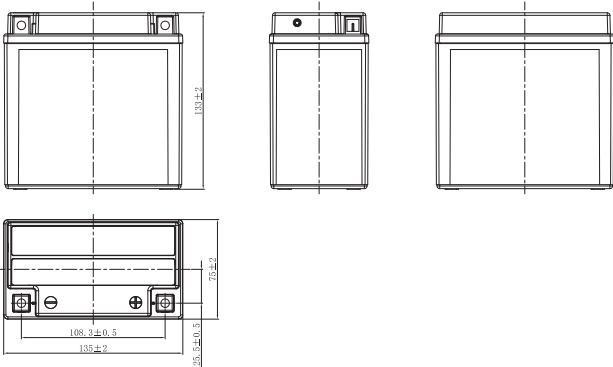
CAPACITY 20HR **8.4Ah**

CAPACITY 10HR **8.0Ah**

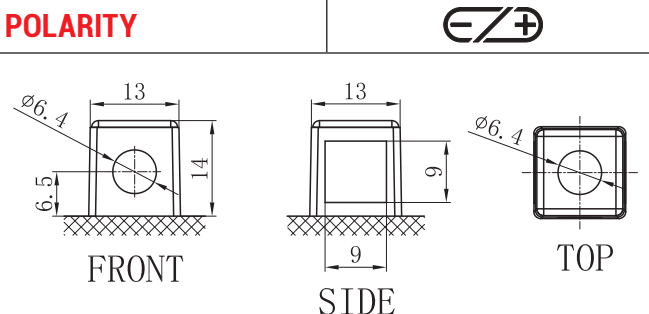


DIMENSIONS

LENGTH	135 ±2mm	5.31 ±0.08inch
WIDTH	75 ±2mm	2.95 ±0.08inch
TOTAL HEIGHT	133 ±2mm	5.24 ±0.08inch
WEIGHT	2.9 kg ±5%	6.39 lbs ±5%



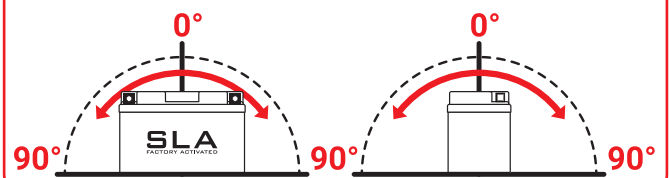
TERMINAL (mm)



SLA FEATURES

- FACTORY ACTIVATED**
AGM (Absorbent Glass Mat) technology.
- READY TO USE**
Just plug & play.
- NO MAINTENANCE**
VRLA (Valve Regulated Lead Acid) design.
- SPILL-PROOF DESIGN**
Factory sealed & electrolyte held in a glass fiber mat.
- NO ACID HANDLING**
Very safe.
- HIGH STARTING POWER & EXTENDED CYCLE LIFE**

MOUNTING ANGLE



UPGRADE FOR

SLA MAX	SLA	MF	DRY
-	-	-	BB7L-B/12N7-3B BB7L-B2